



SMD Shielded Power Inductors - SDC5D18 SERIES

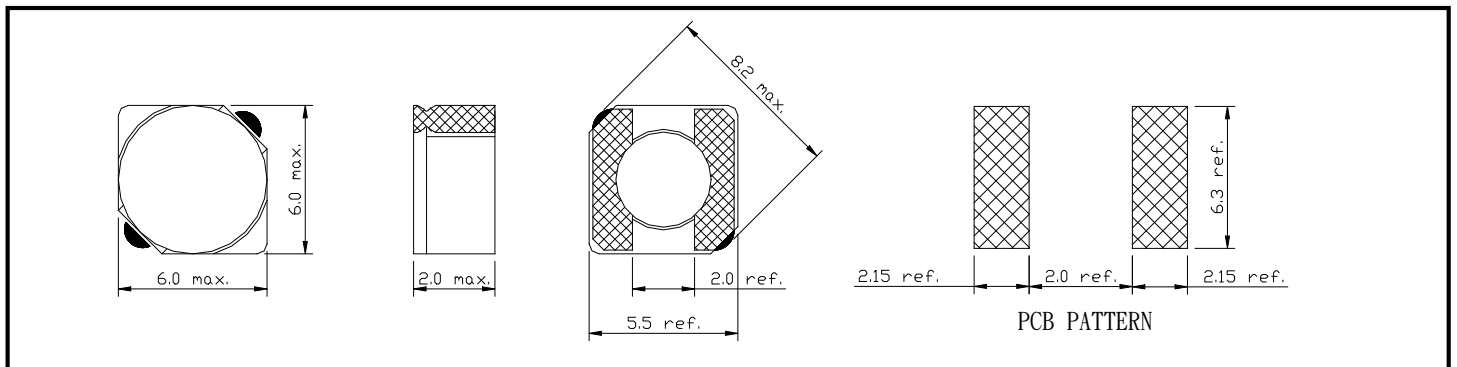


PART NUMBERING SYSTEM

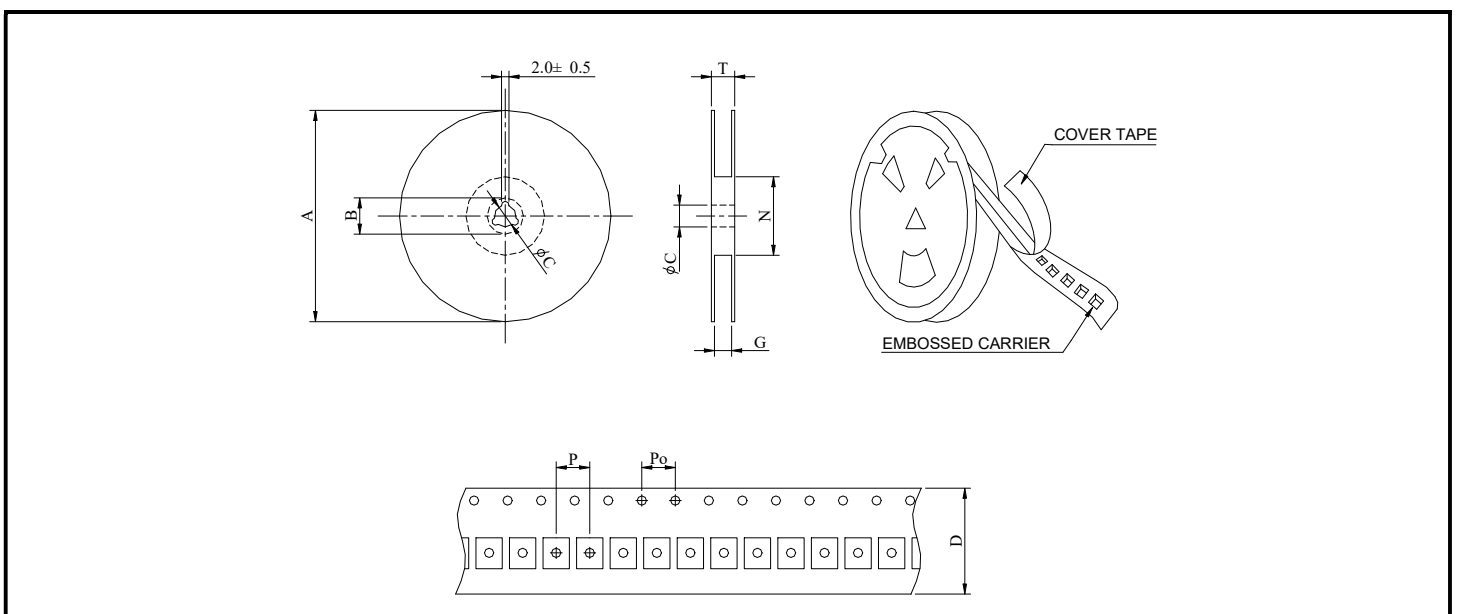
SDC	5D18	—	470M	—	LF
TYPE	DIMENSIONS		INDUCTANCE		LEAD FREE

SHAPES AND DIMENSIONS

UNIT : mm



PACKAGING SPECIFICATION



SERIES	STAYLE	Q'TY (PCS)	DIMENSIONS (m/m)								
			A	B±0.8	C±0.5	D	G ⁺⁰	N ⁻⁰	P	Po	T
SDC5D18	13-16	2000	330	21	13	16	18	50	8	4	22.4

SMD Shielded Power Inductors - SDC5D18 SERIES



SPECIFICATION TABLE

PART NUMBER	INDUCTANCE (μ H)	DCR (m Ω) (Max.)	IDC (A)	TEST FREQ. (Freq.)
SDC5D18-4R1N-LF	4.1 \pm 30%	57	1.95	10KHz
SDC5D18-4R7N-LF	4.7 \pm 30%	65	1.85	10KHz
SDC5D18-5R4N-LF	5.4 \pm 30%	76	1.60	10KHz
SDC5D18-5R6N-LF	5.6 \pm 30%	83	1.60	10KHz
SDC5D18-6R2N-LF	6.2 \pm 30%	96	1.40	10KHz
SDC5D18-6R8N-LF	6.8 \pm 30%	100	1.45	10KHz
SDC5D18-8R2N-LF	8.2 \pm 30%	120	1.25	10KHz
SDC5D18-8R9N-LF	8.9 \pm 30%	116	1.25	10KHz
SDC5D18-100N-LF	10 \pm 30%	124	1.20	10KHz
SDC5D18-120N-LF	12 \pm 30%	153	1.10	10KHz
SDC5D18-150N-LF	15 \pm 30%	196	0.97	10KHz
SDC5D18-180N-LF	18 \pm 30%	210	0.85	10KHz
SDC5D18-220M-LF	22 \pm 20%	290	0.80	10KHz
SDC5D18-270M-LF	27 \pm 20%	330	0.75	10KHz
SDC5D18-330M-LF	33 \pm 20%	385	0.65	10KHz
SDC5D18-390M-LF	39 \pm 20%	520	0.57	10KHz
SDC5D18-470M-LF	47 \pm 20%	595	0.54	10KHz
SDC5D18-560M-LF	56 \pm 20%	665	0.50	10KHz
SDC5D18-680M-LF	68 \pm 20%	840	0.43	10KHz
SDC5D18-820M-LF	82 \pm 20%	978	0.41	10KHz
SDC5D18-101M-LF	100 \pm 20%	1200	0.36	10KHz

- Isat : DC current at which the inductance drops 35% (typ) from its value without current.
- Irms: The actual current when temperature of coil becomes $\Delta 40^{\circ}\text{C}$. (Ta=+25 $^{\circ}\text{C}$)
- Operating temperature range -40 $^{\circ}\text{C}$ to +125 $^{\circ}\text{C}$, Electrical specifications at 25 $^{\circ}\text{C}$.